

MULTI-FUNCTION VALVES



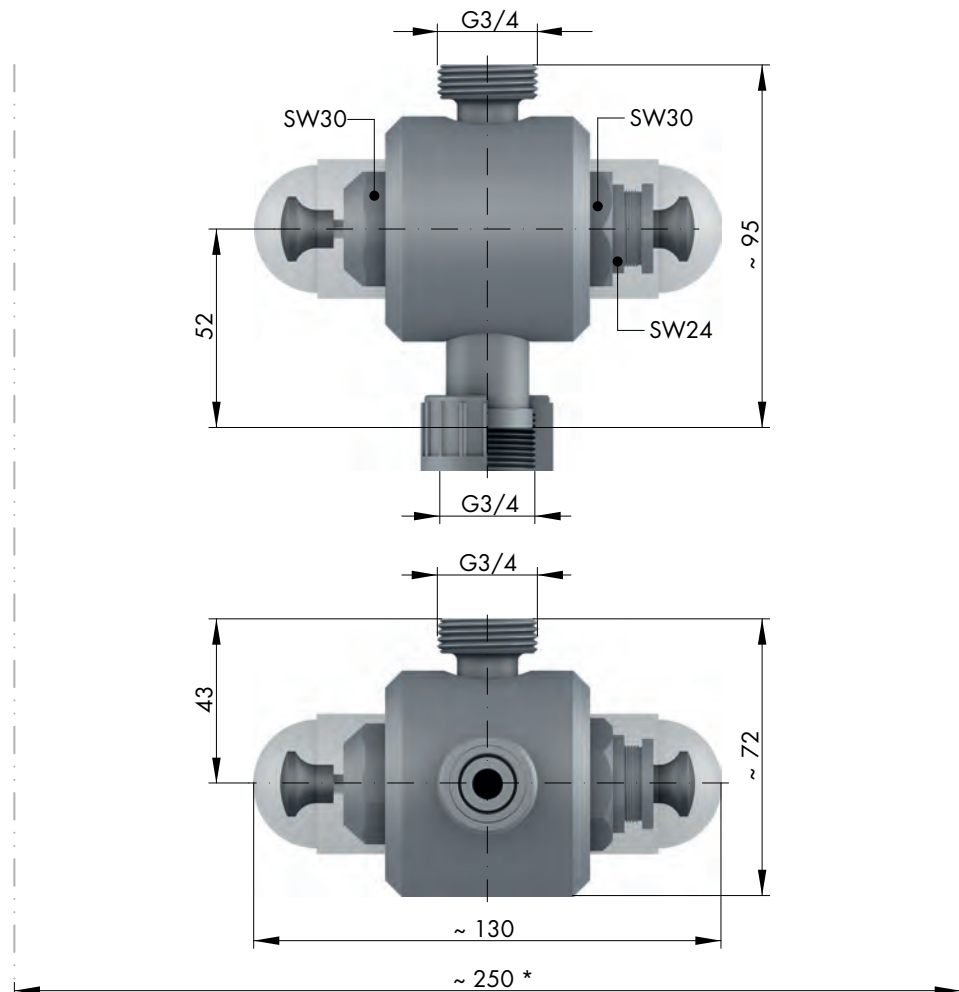
OVERVIEW

- Compact design
- Easy installation
- Maintenance free
- Overpressure protection for dosing pumps
- Prevention of overdose
- Venting
- High quality materials

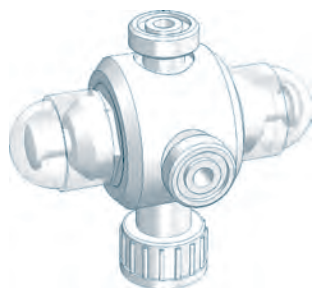
TECHNICAL DATA

		MFV050
Opening pressure	bar	4 - 10
Holding pressure	bar	1 - 1,5
Max. flow rate	l/h	50

DIMENSIONS



BASIC DESIGNS



Multi function valve

Properties

- Maximum operating pressure 10 bar
- Compact design
- Easy installation
- Maintenance-free
- Venting
- Overpressure protection for dosing pumps
- Prevention of over conveyance

Basic version

- Diaphragms: **PTFE-faced**
- Connection: **G^{3/4}**
- **Relief valve side**
Opening pressure: **2 up to 10 bar** (adjustable)
- **Pressure keeping valve side**
Holding pressure: **1,0 - 1,5 bar**

Type	Valve body	Seals	Article-No.	Price (EUR)
MFV 050	PVC-U	EPDM	37600973	▲
MFV 050	PVC-U	FPM	37600974	▲
MFV 050	PVC-U	FEP	37600975	▲
MFV 050	PP	EPDM	37600982	▲
MFV 050	PP	FPM	37600983	▲
MFV 050	PP	FEP	37600984	▲